

Typical Application Examples:

Fryer

Characteristics:

Low noise

Specifications:

Dimension	: Ø 42.6 X 59mm
Shaft Diameter	: Ø 5 mm
Input Voltage	: 230V/50Hz Half wav
Maximum Output Power	: 13.48 W
Maximum Efficiency	: 45.4 %
Speed at Maximum Efficiency	: 4259 rpm
Torque at Maximum Efficiency	: 23.6 mN.m
Life	: 400 Hrs
Weight	: 280 g
Electrical Connection	: Terminal
Operation Temperature	: 0 to 40 °C
Certification	

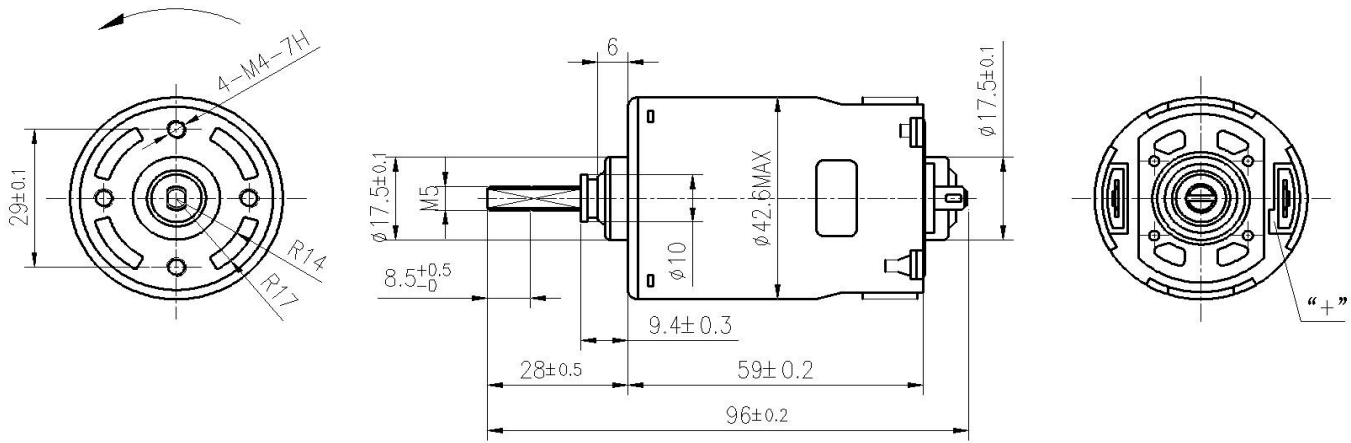


TW-7512SM

Performance Data:

	No Load	Stall	Max Eff	Max Output Power
Speed(rpm)	5275	0	4259	2880
Current(A)	0.091	0.295	0.128	0.186
Torque(Nm)	0.0064	0.09	23.6	0.044
Output Power(W)	3.53	0	10.54	13.48

Drawing:



Performance Curve:

