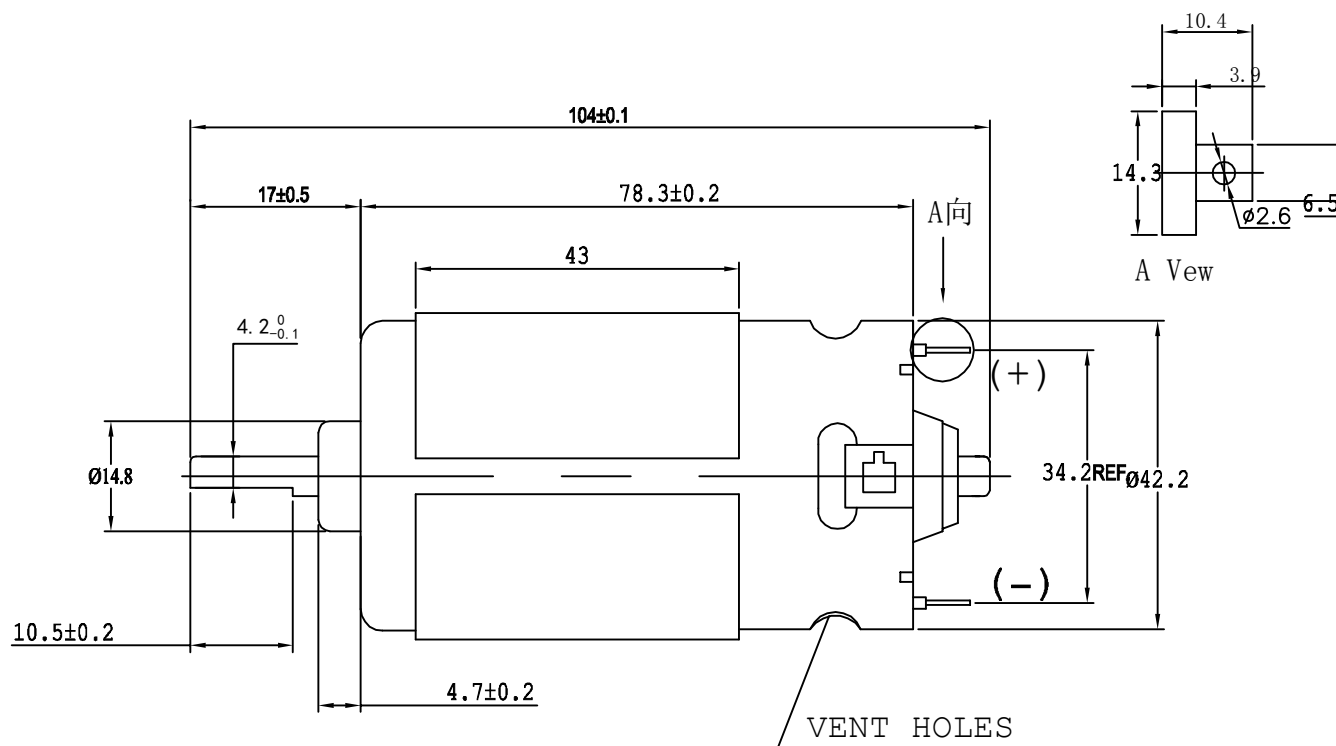
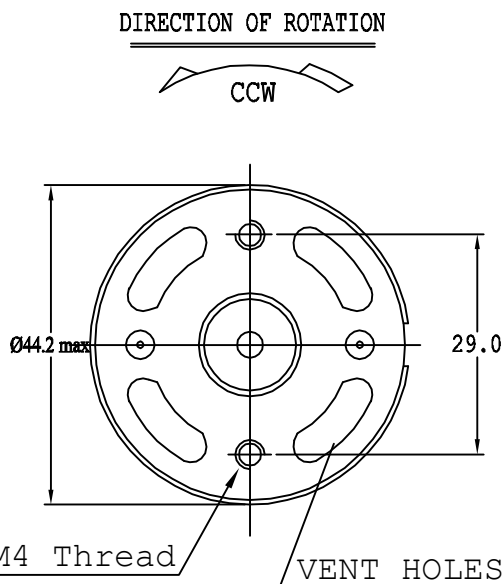


Rohs Compliance

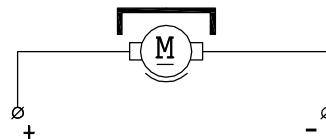
REV	DESCRIPTION	DATE	BY



Notes:

1. Voltage with Frequency (电压和频率): 230V/50Hz—DC
2. Rotation (转向): CCW
3. No-load Performance (空载性能)  
No-load Speed (空载转速): 18000±10%RPM  
No-load Current (空载电流): <0.2A  
No-load Power (空载功率):
4. load Performance (负载性能)  
load Speed (负载转速):  
load Current (负载电流):  
load Power (负载功率):
5. Withstand Voltage (耐压): 1000V/1Ma/1Sec
6. Lock Current (堵转电流): 3.2A±15%
7. Lock Torque (堵转力矩): 5.3KG.cm
8. Lock Power (堵转功率): 750W±15%
9. Noise (噪音): 《75Db (Distance Motor 30CM)

CIRCUIT DIAGRAM:



Label content:  
OD-7812D230  
MADE IN CHINA

GENERAL TOLERANCES ISO 2768-m	
Permissible deviations for linear dimensions	
Permissible deviations for basic size range	
>0.5	>3
...3	...6
m	±0.1
Permissible deviations for angular dimensions	
Permissible deviations for ranges of lengths in millimeters of the shorter side of the angle concerned	
...10	>10
...3	>3
m	±1°

DWN. BY	CHK. BY	APP. BY
Date(yyyymmdd)	Date(yyyymmdd)	Date(yyyymmdd)
MATERIAL:		
FINISH:		
General Tolerance ISO 2768-1 Class m (Unless specified)		TITLE
ALL DIMENSIONS ARE IN MILLIMETRES		OD-7812D230
SHENZHEN ODIN IMPORT AND EXPORT CO., LTD		DWG NO.
		OD-7812D230
		SHEET 1 OF 1
		A

SCALE 3:1  
NOT SCALE