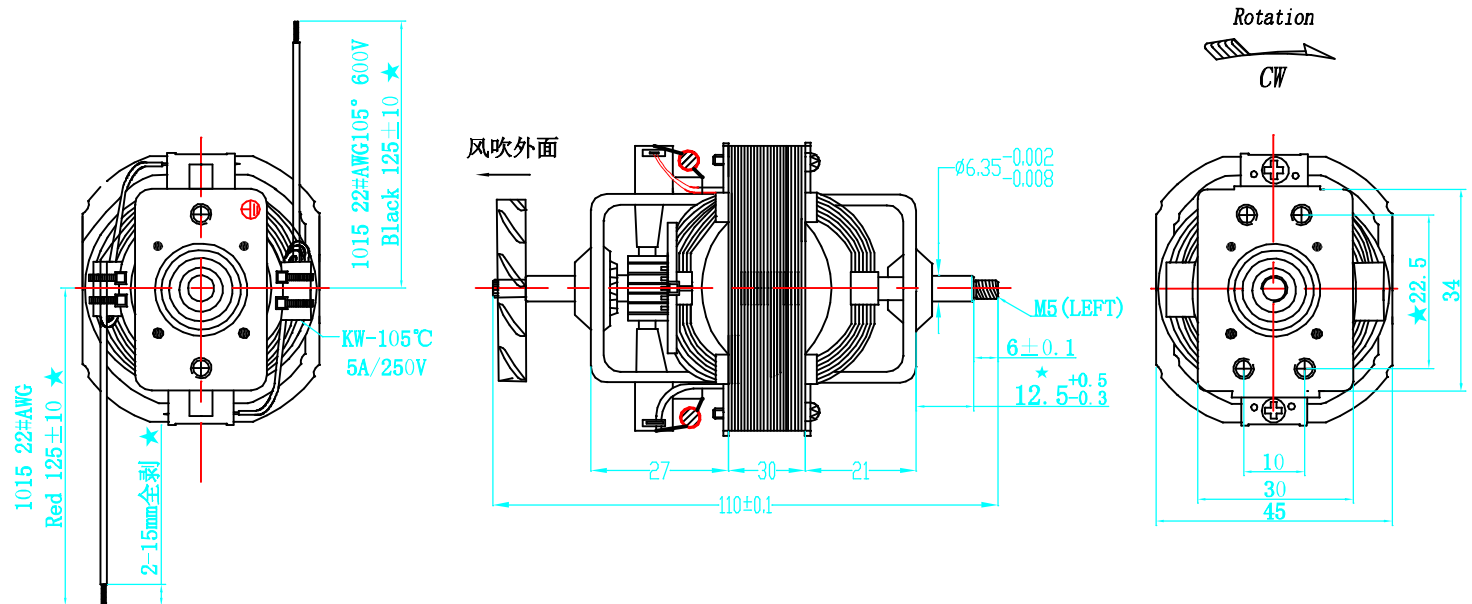


Rohs Compliance

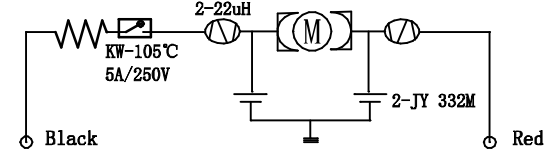
REV	DESCRIPTION	DATE	BY



Notes:

1. Voltage with Frequency (电压和频率): 230V/50Hz
2. Rotation (转向): CW
3. No-load Performance (空载性能)
 No-load Speed (空载转速): 21000±15%
 No-load Current (空载电流): 0.6±15%
 No-load Power (空载功率): 145±15%
4. On load Performance (负载性能)
 On load Speed (负载转速): 10000±10%
 On load Current (负载电流): 1.3±10%
 On load Power (负载功率): 300±10%
5. Fuse or Thermostat (保险丝或者温控): KW-105° /250V/5A
6. Temperature Rise (温升): 95°
7. Insulation Grade (绝缘等级): Class B
8. Withstand Voltage (耐压): 1500V/10Ma/1Sec
9. Life (寿命):
10. Noise (噪音):

CIRCUIT DIAGRAM:



Label content:
 OD-5430M230
 220-240V/50Hz 300W
 MADE IN CHINA

GENERAL TOLERANCES ISO 2768-m	
Permissible deviations for linear dimensions	
Permissible deviations for basic size range	
>0.5	>8
... 3	... 6
... 12	... 30
... 120	... 400
... 1000	... 2000
... 4000	... 4000
m	±0.1 ±0.1 ±0.2 ±0.3 ±0.5 ±0.8 ±1.2 ±2
Permissible deviations for angular dimensions	
Permissible deviations for broken edges (except radii chamfer heights)	
Permissible deviations for range of lengths in millimetre of the shorter side of the angle concerned	
>0.5	>8
... 3	... 6
... 12	... 30
... 120	... 400
... 1000	... 2000
... 4000	... 4000
m	±1° ±1° ±1° ±1° ±1° ±1° ±1° ±1°

DWN. BY	CHK. BY	APP. BY
Date (yyymmdd)	Date (yyymmdd)	Date (yyymmdd)
MATERIAL:		
FINISH:		
General Tolerance ISO 2768-1 Class m (Unless specified)		
ALL DIMENSIONS ARE IN MILLIMETRES		
SHENZHEN ODIN IMPORT AND EXPORT CO., LTD		TITLE
OD-5430M23		OD-5430M23
DWG NO.		SHEET 1 OF 1
OD-5430M23		A