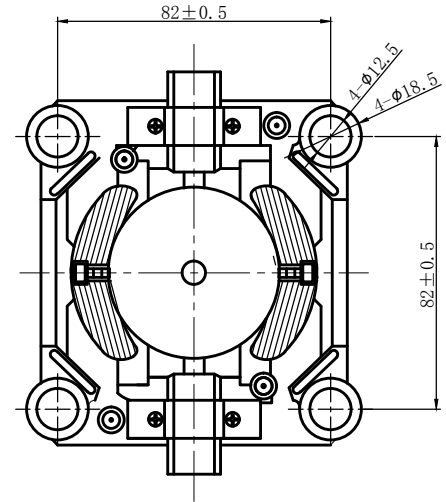
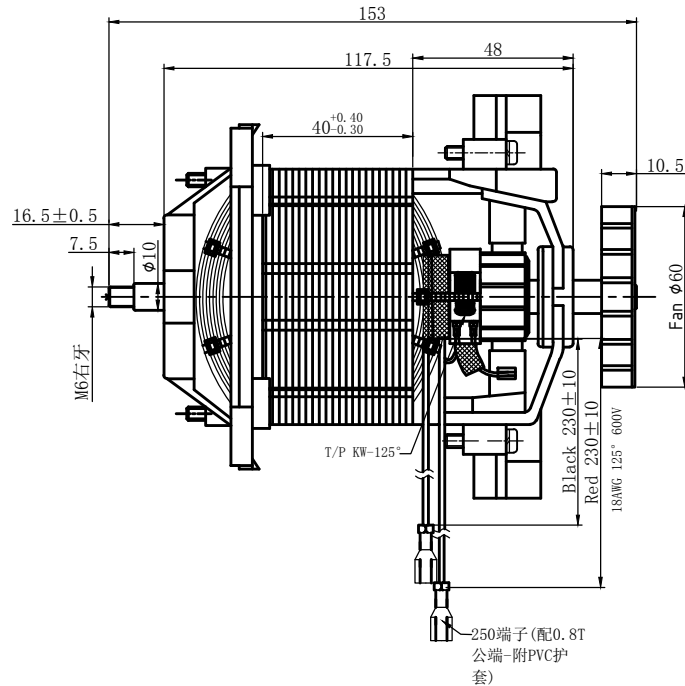
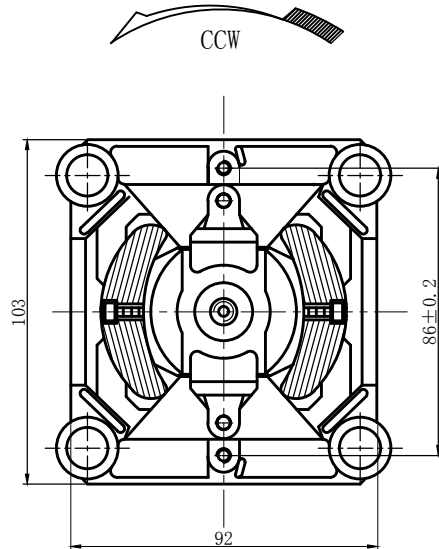


Rohs Compliance

REV	DESCRIPTION	DATE	BY

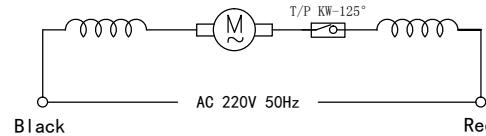
DIRECTION OF ROTATION



Notes:

1. Voltage with Frequency (电压和频率): 220V/50Hz
2. Rotation (转向): CCW
3. No-load Performance (空载性能)  
 No-load Speed (空载转速): 28000±15% RPM  
 No-load Current (空载电流): 2.0±15% A  
 No-load Power (空载功率): 430±15% W
4. On load Performance (负载性能)  
 On load Speed (负载转速): 13000±10% RPM  
 On load Current (负载电流): 5.1±10% A  
 On load Power (负载功率): 1100±10% W
5. Temperature Rise (温升): 115K
6. Insulation Grade (绝缘等级): class F
7. Withstand Voltage (耐压): 1800V/2ma/1sec.

CIRCUIT DIAGRAM:



Label content:

OD-9540M22  
220V/50Hz  
MADE IN CHINA

GENERAL TOLERANCES ISO 2768-m	
Permissible deviations for linear dimensions	
Permissible deviations for basic size range	
>0.5 ... 3	>3 ... 6
>6 ... 30	>30 ... 120
>120 ... 400	>400 ... 1000
>1000 ... 2000	>2000 ... 4000
m ±0.1	±0.1 ±0.2 ±0.3 ±0.5 ±0.8 ±1.2 ±2
Permissible deviations for angular dimensions	
Permissible deviations for broken edges (external radii chamfer heights)	
Permissible deviations for ranges of lengths in millimeters of the shorter side of the angle concerned	
>10 ... 50	>50 ... 120
>120 ... 400	>400 ... 1000
>1000 ... 6	>0.5 ... 3
m ±1°	±0° 30' ±0° 20' ±0° 10' ±0° 5' ±0.2 ±0.5 ±1

DWN. BY GYZ	CHK. BY	APP. BY ADWARD
Date(yyymmdd) 2017-6-17	Date(yyymmdd)	Date(yyymmdd) 2017-6-17
MATERIAL:		<input checked="" type="checkbox"/> SCALE 3:1 <input type="checkbox"/> NOT SCALE
FINISH:		
General Tolerance ISO 2768-1 Class m (Unless specified)		TITLE
ALL DIMENSIONS ARE IN MILLIMETRES		OD-9540M22
SHENZHEN ODIN IMPORT AND EXPORT CO., LTD		DWG NO. 9540M22
		SHEET 1 OF 1