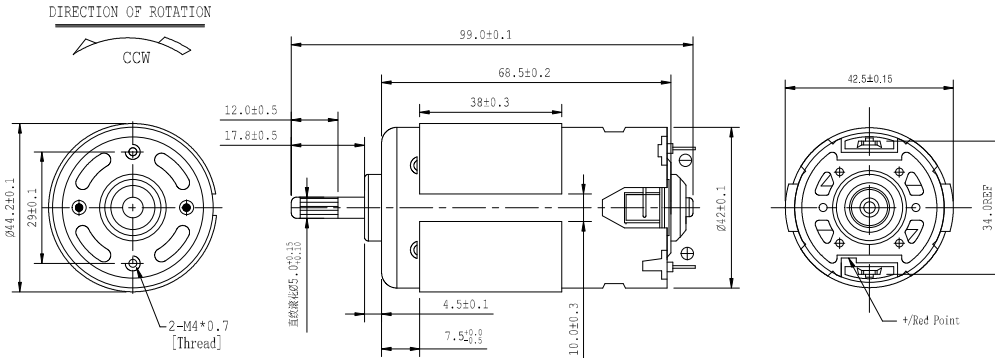


Rohs Compliance

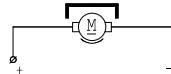
REV	DESCRIPTION	DATE	BY



Notes:

1. Voltage with Frequency (电压和频率): 120V/60Hz—DC
2. Rotation (转向): CCW
3. No-load Performance (空载性能)
No-load Speed (空载转速): 18000±10%RPM
No-load Current (空载电流): <0.4A
No-load Power (空载功率):
4. load Performance (负载性能)
load Speed (负载转速):
load Current (负载电流):
load Power (负载功率):
5. Withstand Voltage (耐压): 1000V/1mA/1Sec
6. Lock Current (堵转电流): 6.5A±15%
7. Lock Torque (堵转力矩): 5.3KG.cm
8. Lock Power (堵转功率): 750W±15%
9. Noise (噪音): 《75db (Distance Motor 30CM)

CIRCUIT DIAGRAM:



Label content:
OD-7712D120
MADE IN CHINA

DWG NO. OD-7712D120	
DATE: 2024.08.15	
DRAWN BY: [Blank]	
CHECKED BY: [Blank]	
APP. BY: [Blank]	
MATERIAL: [Blank]	
FINISH: [Blank]	
GENERAL TOLERANCE ISO 2768-M (Class m (Unless specified))	
TITLE: OD-7712D120	
DWG NO. OD-7712D120	
SHEET 1 OF 1	

DWN. BY	CHK. BY	APP. BY
Date(yyyymmdd)	Date(yyyymmdd)	Date(yyyymmdd)
MATERIAL:		
FINISH:		
General Tolerance ISO 2768-M (Class m (Unless specified))		
TITLE: OD-7712D120		
ALL DIMENSIONS ARE IN MILLIMETRES		
DWG NO. OD-7712D120		
SHEET 1 OF 1		

SHENZHEN ODIN IMPORT AND EXPORT CO., LTD