

TW-59TYD

Applications

Laminator / Paper Shredder / Rotating Christmas
Power Switch/ Industrial automation/ Stage
LCD levelers/ Ice crusher/Double Power Leakage Sv
Valve Actuator/ Oil mill/ Lampblack Machine



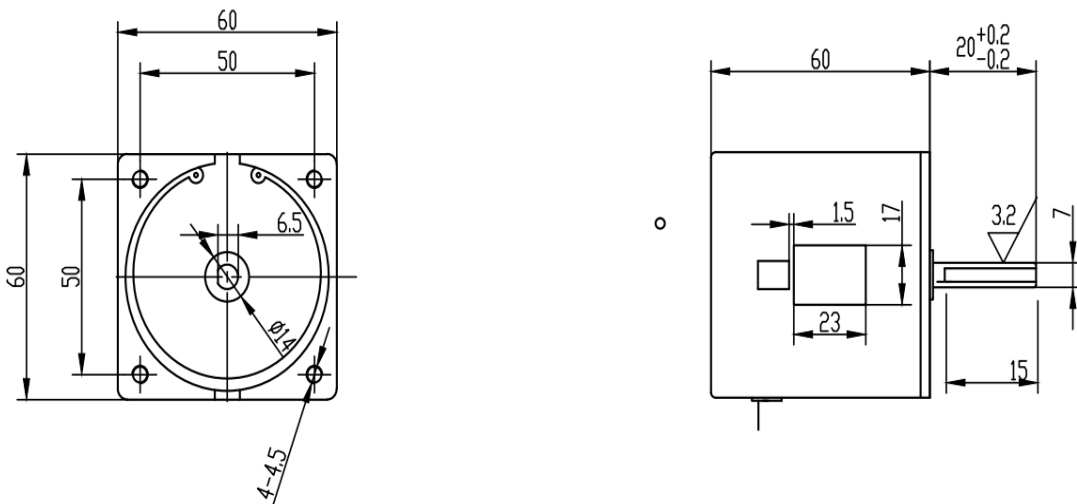
Model

Specifications

Rated Voltage V	220															
Rated Frequency Hz	50/60															
Input Power W	14															
Speed r/min	2.5	3.8	5	7.5	10	12	15	20	25	30	40	50	60	80	110	
Torque	Rated	45	32	26	20	15	13.5	10	7.5	6.5	5	4	3	2.5	2	104
	Max	60	50	40	25	20	18	14	10	8.5	7.5	6	4	3.5	2.5	2
Rotation Direction	CW/CCW															

$n=103gf.cm=9.8N.cm=0.098 N.m=13.89oz.in=0.868Lb.in=0.0723$

Dimensions



Feature

Capacitors is available.

Voltage and speed adjustment by winding change

Modification of shaft configuration (length, flat, hole, knurling, etc.)