

YS SERIES THREE PHASE INDUCTION MOTOR

Product Categories:YS SERIES THREE PHASE INDUCTION MOTOR

Product Description:

Frame NO.: 56~90

Power : 0.45~12kW

Operation service : S1

Rated Voltage : ±5%

Insulation class : B.F

Protection class : IP5 4

EFF: EF3 EF2 EF1

Ambient temperature :-15C~40C

Products Introduction :

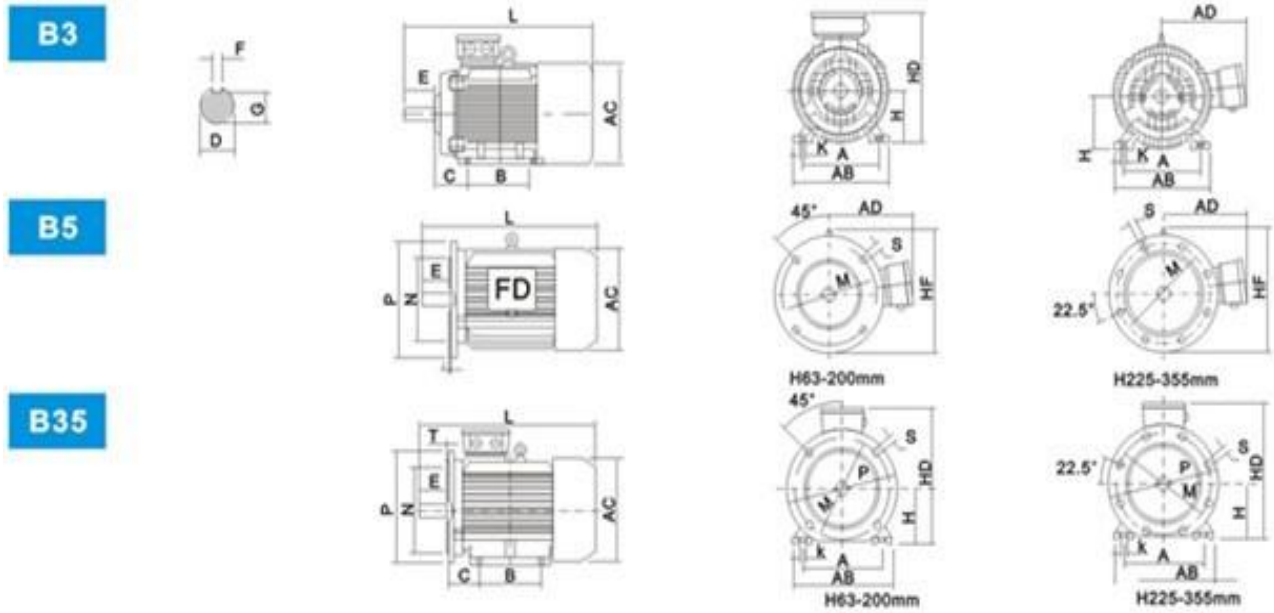
YY series three-phase capacitor running asynchronous motor have good performance, safe and reliable operation, nice appearance, convenient maintenance low noise, slight vibration, light weight and simple construction.。

Technical Data(380v 50hz) -YS motor

型号 Type	功率 Power		电流 Current	转速 Speed	效率 Eff	功率因素 Power Factor	堵转电流/额定电流 Starting current/Rated current	堵转转矩/额定转矩 Starting torque/Rated torque	最大扭矩/额定转矩 Max torque/Rated torque
	Hp	kW	(A)	(r/min)	(%)	(cos φ)			
380V 50HZ 2P									
YS5612	0.12	0.09	0.32	2800	62	0.68	6	2.2	2.4
YS5622	0.18	0.12	0.38	2800	71	0.71	6	2.2	2.4
YS6312	1/4	0.18	0.53	2790	69	0.75	6	2.2	2.4
YS6322	1/3	0.25	0.68	2790	72	0.78	6	2.2	2.4
YS7112	1/2	0.37	0.96	2800	73.5	0.8	6	2.2	2.4
YS7122	3/4	0.55	1.35	2800	75.5	0.82	6	2.2	2.4
YS8012	1	0.75	1.75	2800	76.5	0.85	6	2.2	2.4
YS8022	1.5	1.1	2.56	2800	77	0.85	6	2.2	2.4
YS90S-2	2	1.5	3.44	2800	78	0.85	7	2.3	2.4
YS90L-2	3	2.2	4.83	2800	80.5	0.86	7	2.3	2.4
380V 50HZ 4P									
YS614	0.08	0.06	1390	0.28	0.58	56	6	2.2	2.4
YS5624	0.09	0.12	1390	0.39	0.61	58	6	2.2	2.4
YS6314	1/6	0.12	1390	0.48	0.63	60	6	2.2	2.4
YS6324	1/4	0.18	1390	0.65	0.66	64	6	2.2	2.4
YS7114	1/3	0.25	1390	0.84	0.68	67	6	2.2	2.4
YS7124	1/2	0.37	1400	1.12	0.72	69.5	6	2.2	2.4

YS8014	3/4	0.55	1400	1.56	0.73	73.5	6	2.2	2.4
YS8024	1	0.75	1400	2.01	0.75	75.5	6	2.2	2.4
YS90S-4	1.5	1.1	1400	2.75	0.78	78	6.5	2.3	2.4
YS90L-4	2	1.5	1400	3.65	0.79	79	6.5	2.3	2.4

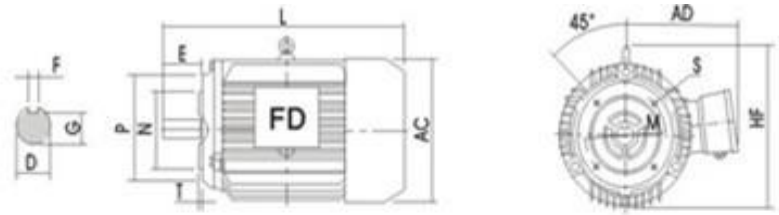
Y Y2 YS YD THREE PHASE MOTOR DIMENSIONS(mm)



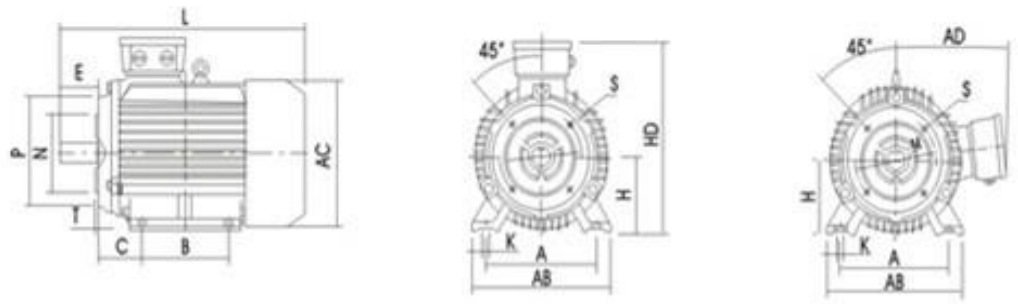
机座号 Frame No.	安装尺寸 Mounting dimension(mm)									凸缘号 Flange No.	B35 B5						外型尺寸 Overall dimensions≤					
	A	B	C	D	E	F	G	H	K		M	N	P	R*	S	T	AB	AC	AD	HD	L	DH
63	100	80	40	11	23	4	8.5	63	7	FF115	115	95	140	0	10	3	135	130	70	180	230	M4×12
71	112	90	45	14	30	5	11	71	7	FF130	130	110	160	0	10	3.5	50	145	80	195	255	M5×12
80	125	100	50	19	40	6	15.5	80	10	FF165	165	130	200	0	12	3.5	165	175	145	220	295	M6×16
90S	140	100	56	24	50	8	20	90	10	FF165	165	130	200	0	12	3.5	180	195	155	250	320	M8×19
90L	140	125	56	24	50	8	20	90	10	FF165	165	130	200	0	12	3.5	180	195	155	250	345	M8×19
100L	160	140	63	28	60	8	24	100	12	FF215	215	180	250	0	15	4	205	215	180	270	385	M10×22
112M	190	140	70	28	60	8	24	112	12	FF215	215	180	250	0	15	4	230	240	190	300	400	M10×22
132S	216	140	89	38	80	10	33	132	12	FF265	265	230	300	0	15	4	270	275	210	345	470	M12×28
132M	216	178	89	38	80	10	33	132	12	FF265	265	230	300	0	15	4	270	275	210	345	510	M12×28
160M	254	210	108	42	110	12	37	160	15	FF300	300	250	350	0	19	5	320	330	255	420	615	M16×36
160L	254	254	108	42	110	12	37	160	15	FF300	300	250	350	0	19	5	320	330	255	420	670	M16×36
180M	279	241	121	48	110	14	42.5	180	15	FF300	300	250	350	0	19	5	355	380	280	455	700	M16×36
180L	279	279	121	48	110	14	42.5	180	15	FF300	300	250	350	0	19	5	355	380	280	455	740	M16×36

200L	318	305	133	55	110	16	49	200	15	FF350	350	300	400	0	19	5	395	420	305	505	770	M20×42
------	-----	-----	-----	----	-----	----	----	-----	----	-------	-----	-----	-----	---	----	---	-----	-----	-----	-----	-----	--------

B14



B34



机座号 Frame No.	安装尺寸 Mounting dimension(mm)										凸缘号 Flange No.	B34 B14					外型尺寸 Overall dimensions≤					
	A	B	C	D	E	F	G	H	K	M		N	P	R*	s	T	AB	AC	AD	HD	L	DH
63	100	80	40	11	23	4	8.5	63	7	FT75	75	60	90	0	M5	2.5	135	130	70	180	230	M4×12
71	112	90	45	14	30	5	11	71	7	FT85	85	70	105	0	M6	2.5	150	145	80	195	255	M5×12
80	125	100	50	19	40	6	15.5	80	10	FT100	100	80	120	0		3	165	175	145	220	295	M6×16
90S	140	100	56	24	50	8	20	90	10	FT115	115	95	140	0	M8	3	180	195	155	250	320	M8×19
90L	140	125	56	24	50	8	20	90	10	FT115	115	95	140	0		3	180	195	155	250	345	M8×19
100L	160	140	63	28	60	8	24	100	12	FT130	130	110	160	0		3.5	205	215	180	270	385	M10×22
112M	190	140	70	28	60	8	24	112	12	FT130	130	110	160	0		3.5	230	240	190	300	400	M10×22