

TW-48B

Applications

OVEN/GRILL

Automatic Machine

Medical equipment/Vending machine

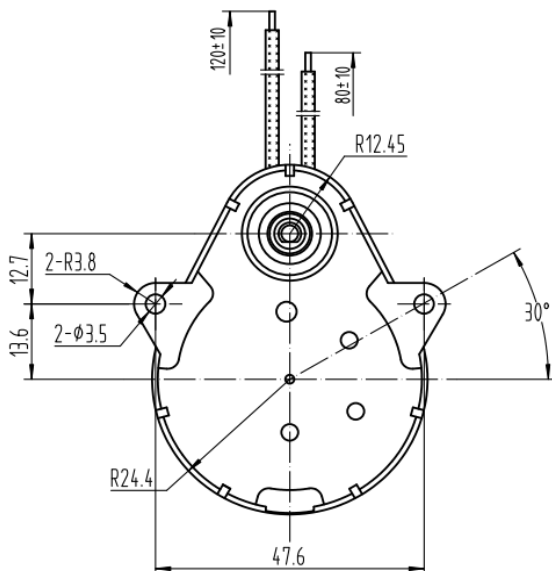
Model



Voltage	24VAC	220VAC
Frequency	50/60HZ	50/60HZ
Current	300mA	25mA
Power	3.5W	3.5W
Output Torque	13KG.CM	13KG.CM
Speed	0.83/1	0.83/1
Insulation Class	E	E
Rotation Direction	CW/CCW	CW/CCW
Start voltage	20.4VAC	187VAC
Noise	<45db	<45db
Working Temperature	-15-110°C	-15-110°C

1kg.cm=103gf.cm=9.8N.cm=0.098 N.m=13.89oz.in=0.868Lb.in=0.07233Lb.ft

Dimensions



Feature

Voltage and speed adjustment by winding change

Modification of shaft configuration (length, flat, hole, knurling, etc.)