

DC Motor TW-775PM Series

OUTPUT POWER: 40 – 200W (APPROX)



Features:

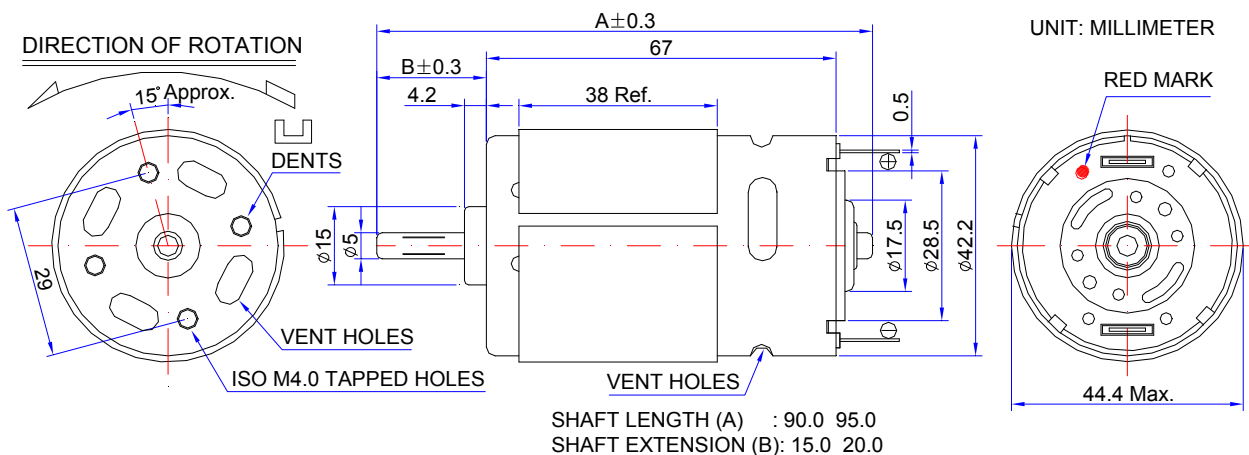
* Carbon Brush Motor.

Weight:

350g (APPROX)

Typical Application:

1. Cordless Power Tools : Drills & Screwdrivers
2. Office Automation Equipments: Printer / Cordless Garden Tools



ELECTRICAL SPECIFICATION CHART: (The specifications can be changed as customers' requirement)

Model	Voltage		At No Load		At Max Efficiency				Stall	
	Workable Range	Constant	RPM	Speed A	Current RRPM	Speed A	Current G.CM	Torque W	Output %	Output G.CM
TW-775PM-2765	6~30.0V	24.0V Constant	760	0.37	5810	2.22	750	44.7	83.0	3186
TW-775PM-27100	6~30.0V	24.0V Constant	426	0.26	3479	1.25	530	18.9	63.0	2892
TW-775PM-3848	6~30.0V	24.0V Constant	860	0.55	7310	3.33	750	56.3	70.4	5000
TW-775PM-4040	6~15.0V	12.0V Constant	500	0.55	4199	2.94	460	19.8	56.1	2880
TW-775PM-4045	6~15.0V	12.0V Constant	460	0.60	3500	4.30	860	36.6	70.9	3600
TW-775PM-5026	6~12.0V	12.0V Constant	830	1.00	7050	5.68	650	47.0	69.0	4318
TW-775PM-5036	6~12.0V	12.0V Constant	600	0.70	4800	4.86	800	40.0	68.6	4000
TW-775PM-7513	6~12.0V	12.0V Constant	187	2.20	16000	13.60	710	116.5	71.4	5100

CHARACTERISTIC CURVES:

