

Quick Detail:

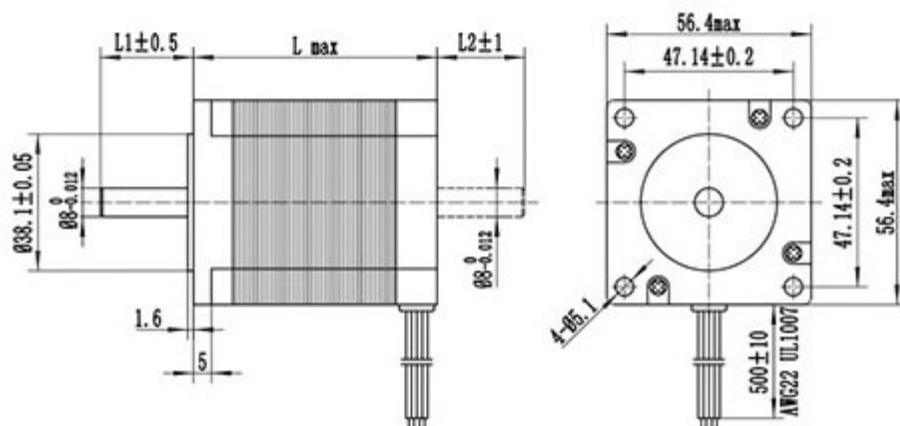
Item	Specifications
Step Angle Accuracy	±5%
Resistance Accuracy	±10%
Inductance Accuracy	±20%
Temperature Rise	80°C Max
Ambient Temperature	-20°C~+50°C
Insulation Resistance	100MΩMin.500VDC
Dielectric Strength	500VAC for one minute
Shaft Radial Play	0.02Max.(450g-load)
Shaft Axial Play	0.08Max.(450g-load)

Model No	Step Angle (°)	Rated Voltage (V)	Rated Current (A)	Phase Resistance (Ω)	Phase Inductance (mH)	Holding Torque (Kg.cm)	Detent Torque (g.cm Max)	Rotor Inertia (g.cm ²)	Motor Length (mm)	Leads No.	Motor Weight (Kg)
57HM41-1006	0.9	4.2	1	4.2	6	3.9	210	120	41	6	0.45
57HM41-2006	0.9	2.4	2	1.2	2.1	3.9	210	120	41	6	0.45
57HM51-0604	0.9	6.6	0.6	11	33	8	260	240	51	4	0.56
57HM51-1704	0.9	6.8	1.7	4	14	7.5	260	240	51	4	0.56
57HM56-2006	0.9	3.3	2	1.65	4.5	10	400	300	56	6	0.7
57HM56-3004	0.9	2.7	3	0.9	3.5	10	400	300	56	4	0.7
56HM56-4204	0.9	1.7	4.2	0.4	1.5	10.5	400	300	56	4	0.7
57HM64-1004	0.9	7.8	1	7.8	29.2	12	500	380	64	4	0.85
57HM64-4204	0.9	1.8	4.2	0.43	1.6	13	500	380	64	4	0.85
57HM76-1006	0.9	8.6	1	8.6	23.2	13.5	680	440	76	6	1.05
57HM76-3004	0.9	3.6	3	1.2	4.5	15	680	440	76	4	1.05
57HM76-4204	0.9	2.1	4.2	0.51	2.4	18	680	440	76	4	1.05

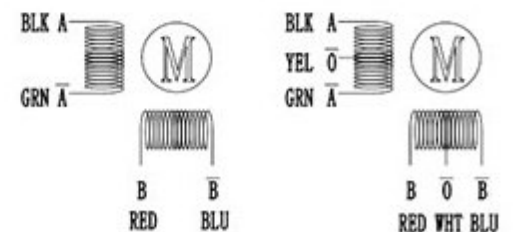
Above only for representative products, products of special request can be made according to the customer request.

Dimensions

unit=mm



Wiring Diagram:



4 Leads

6 Leads