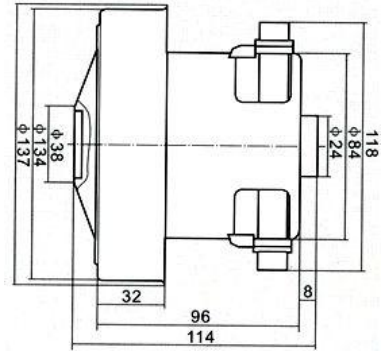
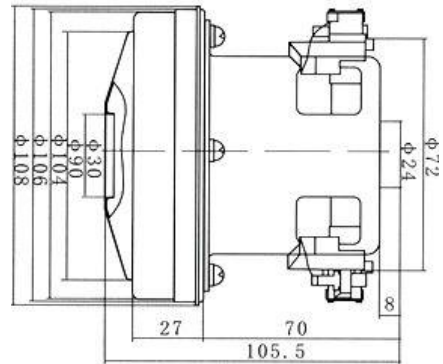


TW-137108 Vacuum Cleaner Motor

OUTPUT POWER:600~1400 W (APPROX)



Specification	Model	TW-137					TW-137					Tolerance Value		
	Voltage(V)	220	230	240	100	110	120	220	230	240	100	110	120	/
	Frequency(Hz)	50/60					50/60					/		
	Input (W)	1300					1400					±10%		
	Max Vacuum Degree(KPa)	24					24.5					-5%		
	Max Air Quantity(m3/min)	3.1					3.2					-8%		
	Temp.Rise(K)	<85					<85					/		
	Noisy(dB)	98					100					/		
	Sparkle Grade	<2 Level					<2 Level					/		
	Insulation Grade	B					B					/		
	Max Eff.(%)	33					33					-10%		



Specification	Model	TW-108					TW-108					Tolerance Value		
	Voltage(V)	220	230	240	100	110	120	220	230	240	100	110	120	/
	Frequency(Hz)	50/60					50/60					/		
	Input (W)	800					1000					±10%		
	Max Vacuum Degree(KPa)	20					21					-5%		
	Max Air Quantity(m3/min)	2.4					2.5					-8%		
	Temp.Rise(K)	<75					<75					/		
	Noisy(dB)	92					92					/		
	Sparkle Grade	<2 Level					<2 Level					/		
	Insulation Grade	B					B					/		
	Max Eff.(%)	36.5					36.5					-10%		