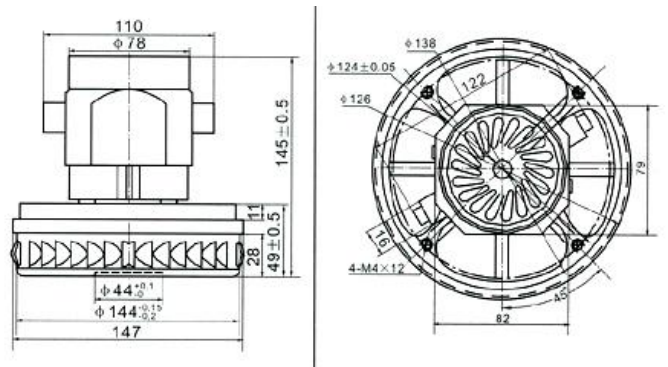
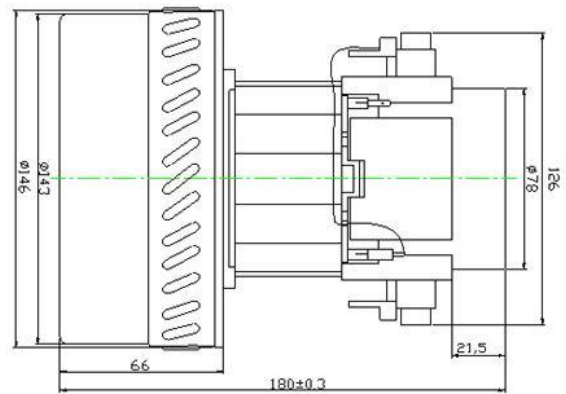


TW-146147 Vacuum Cleaner Motor

OUTPUT POWER:1000~1800 W (APPROX)



Specification	Model	TW-147	TW-147	Tolerance Value
	Voltage(V)	220 230 240 100 110 120	220 230 240 100 110 120	/
	Frequency(Hz)	50/60	50/60	/
	Input (W)	1000	1200	±10%
	Max Vacuum Degree(KPa)	19	20	-5%
	Max Air Quantity(m3/min)	3	3.1	-8%
	Temp.Rise(K)	<85	<85	/
	Noisy(dB)	96	98	/
	Sparkle Grade	<2 Level	<2 Level	/
	Insulation Grade	B	B	/
	Max Eff.(%)	33	33	-10%



Specification	Model	TW-146	TW-146	Tolerance Value
	Voltage(V)	220 230 240 100 110 120	220 230 240 100 110 120	/
	Frequency(Hz)	50/60	50/60	/
	Input (W)	1400	1600	±10%
	Max Vacuum Degree(KPa)	24	25	-5%
	Max Air Quantity(m3/min)	3.3	3.4	-8%
	Temp.Rise(K)	<85	<85	/
	Noisy(dB)	98	100	/
	Sparkle Grade	<2 Level	<2 Level	/
	Insulation Grade	B	B	/
Max Eff.(%)	35	35	-10%	