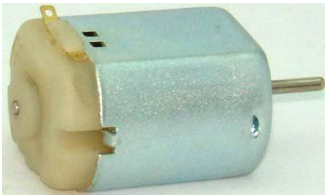
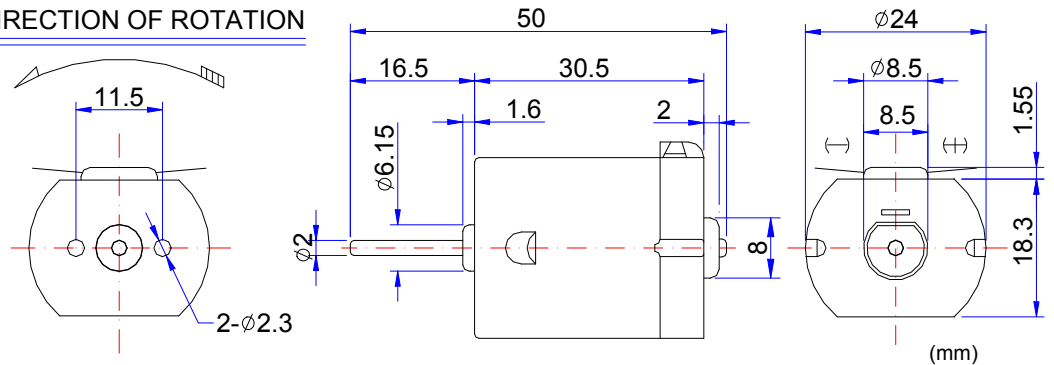


DC Motor TW-280 Series

OUTPUT POWER: 0.3 - 23.0W (APPROX)



DIRECTION OF ROTATION



Typical Application:

1. Motorized toys.
2. Motorized plastic models.
3. Hair Dryer.

Weight: 35g (Approx.)

SHEET METAL BRUSH MOTORS AND CARBON BRUSH MOTORS

ELECTRICAL SPECIFICATION CHART: (The following specifications can be changed as customers' requirement)

Model	Voltage		At No Load		At Max Efficiency				Stall
		Workable Range	Nominal RPM	Speed A	Current RRPM	Speed A	Current G.CM	Torque W	Torque G.CM
TW-280SM-12310	10.0~15.0V	12V Constant	6,300	0.06	4,940	0.22	28.0	1.40	130
TW-280SM-18165	10.0~15.0V	12V Constant	12,400	0.10	10,700	0.51	35.0	3.84	260
TW-280SM-20150	10.0~15.0V	12V Constant	13,000	0.10	11,360	0.53	41.00	4.57	305
TW-280SM-21130	10.0~15.0V	12V Constant	14,500	0.18	12,100	0.90	50.20	6.20	300
TW-280SM-2865	3.0~6.0V	3.0V Constant	6,290	0.28	5,032	0.69	20.0	1.03	100
TW-280SM-16200	10~15.0V	12V Constant	10,000	0.07	8,670	0.35	28.7	2.78	220
TW-280SM-3150	1.5~3.0V	2.4V Constant	6,900	0.37	5670	1.06	25.0	1.45	140
TW-280SM-3550	1.5~3.0V	2.4V Constant	7,100	0.30	5920	1.29	35.0	2.13	210

CHARACTERISTIC CURVES:

