

# DC Motor TW-540PM Series

OUTPUT POWER: 2.0 - 65W (APPROX)



### Features:

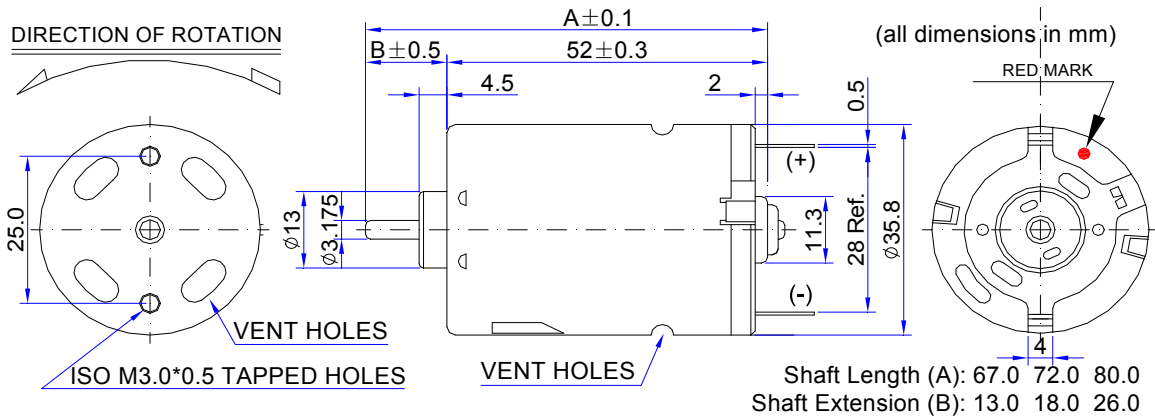
\* Carbon Brush Motor.

### Weight:

160g (APPROX)

### Typical Application:

Vacuum Cleaner, Air Compressor, Drills & Screwdrivers, Cordless Tools, Radio Control Models, Toys and Models



## ELECTRICAL SPECIFICATION : (The following specifications can be changed as customers' requirement)

Model	Voltage		At No Load		At Max Efficiency					Stall
	Workable Range		Nominal RPM	Speed A	Current RRPM	Speed A	Current G.CM	Torque W	Output %	Torque G.CM
TW-540PM-1000	3.0~12.0	3.6V Constant	22560	3.33	16560	12.50	200	33.9	75.3	754
TW-540PM-5045	9.0~24.0	12V Constant	16600	0.70	14370	4.59	290	42.7	77.5	2160
TW-540PM-6035	4.5~15.0	12V Constant	22400	1.30	19100	6.00	300	58.7	81.5	2036
TW-540PM-6530	3.6~7.2	7.2V Constant	16000	1.17	12100	10.30	300	37.2	50.2	2190
TW-540PM-7030	6.0~12.0	12V Constant	26100	1.60	22075	7.59	350	79.2	86.9	2269
TW-540PM-7515	3.0~9.0	6.0V Constant	23100	2.60	19500	14.08	280	56.0	66.3	1798
TW-540PM-7522	3.0~9.0	6.0V Constant	16500	1.70	14300	5.56	200	29.3	87.6	1500

## CHARACTERISTIC CURVES:

