

DC Motor TW-555SP Series

OUTPUT POWER: 3.0 - 65W (APPROX)



Features:

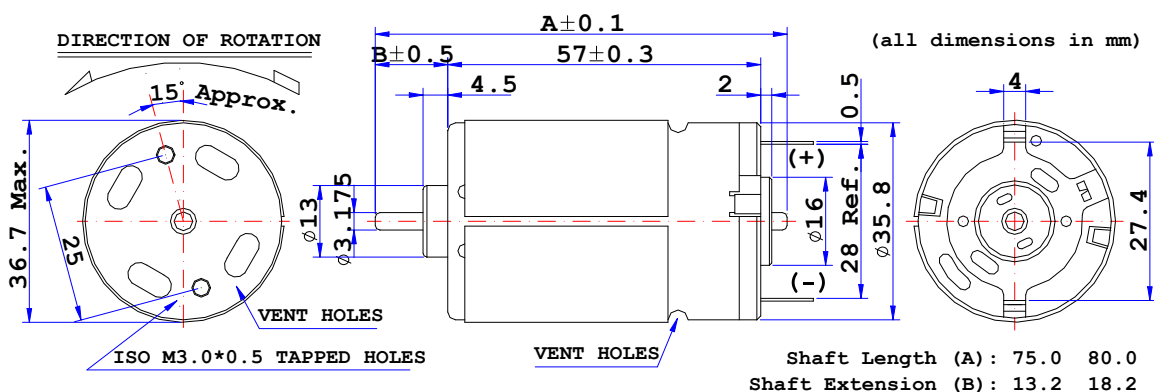
* Carbon Brush Motor.

Weight:

215g (APPROX)

Typical Application:

1. Automotive Products: Lumbar Support
2. Home Appliances > Computer Peripherals
3. Car Antenna



ELECTRICAL SPECIFICATION CHART: (The specifications can be changed as customers' requirement)

Model	Voltage		At No Load		At Max Efficiency				Stall Torque G.CM	
	Workable Range		Speed RPM	Current A	Current RRPM	Speed A	Current G.CM	Torque W		Output %
TW-555SP-1716	18~30V	24V Constant	3790	0.08	3130	0.38	190	6.11	66.3	1100
TW-555SP-21150	9~30V	24V Constant	4100	0.09	3448	0.51	240	8.50	69.4	1500
TW-555SP-2588	9~30V	24V Constant	6824	0.18	5740	0.94	330	19.4	86.2	2091
TW-555SP-2670	9~30V	24V Constant	9100	0.21	7800	1.27	283	22.60	74.1	2000
TW-555SP-3250	6~30V	24V Constant	12500	0.35	10880	2.35	354	39.5	70.0	2734
TW-555SP-4030	6~30V	12V Constant	10200	0.55	8440	3.10	380	32.9	88.4	2018
TW-555SP-4525	4.5~18V	12V Constant	12400	0.66	10370	4.20	339	37.0	73.9	2010
TW-555SP-5016	7.2~12V	12V Constant	20000	1.50	17800	7.20	320	58.4	67.6	2500

CHARACTERISTIC CURVES:

