

TW-71SS555



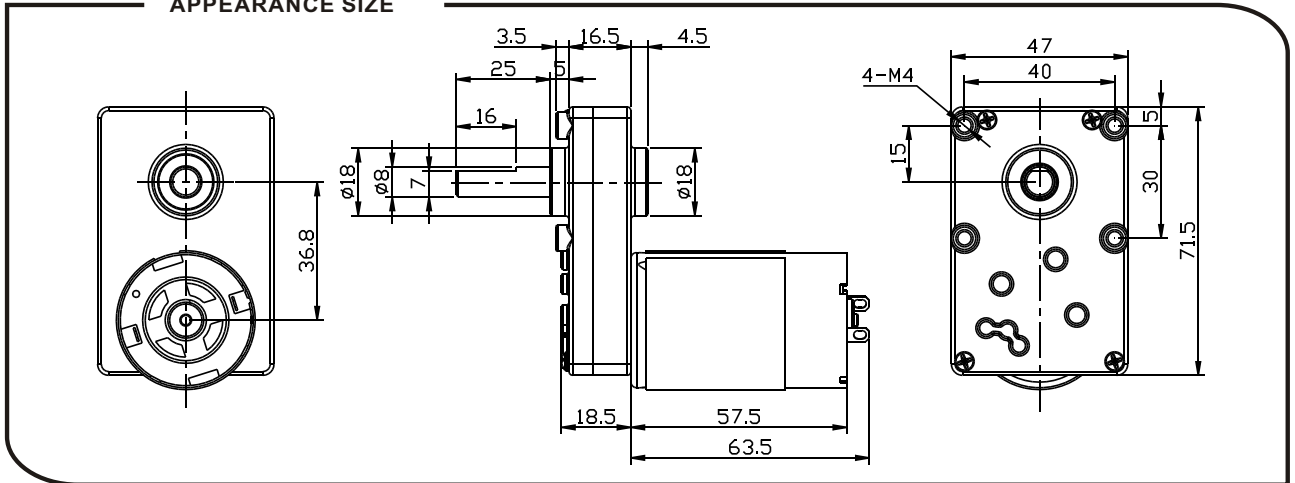
Main voltage: 3VDC、6VDC、9VDC、12VDC、24VDC、36VDC、

Typical applications: Auto shutter, Money detector, Binding machine, Automatic TV rack, Packing bank note machine, Towel dispensers, Tissue machine, Office equipment, Household appliances, Automatic actuator.

Weight: 500~550g/pcs(approx)

Packing details: CTN size: 55X35XH18cm 12pcs/CTN G.W.15Kgs

APPEARANCE SIZE



Gearbox data:

Number of stages	3 stages reduction	4 stages reduction	5 stages reduction
Reduction ratio	73	135、174、252	391、506、730
Max. Running torque	10Kgf · cm	20Kgf · cm	30Kgf · cm
Max. Gear breaking torque	30Kgf · cm	60Kgf · cm	90Kgf · cm
Max. Gearing efficiency	73%	65%	59%

Other reduction ratio please telephone or e-mail to our engineering department.

Motor data:

Motor name	Rated Volt. V	No load		Load torque				Stall torque	
		Current	Speed	Current	Speed	Torque	Output power	Torque	Current
		mA	r/min	mA	r/min	gf · cm	W	gf · cm	mA
RS-555123000	12	≤140	3000	≤800	2200	150	3.3	600	3000
RS-555124500	12	≤220	4500	≤1200	3300	220	7.2	880	4800
RS-555126000	12	≤350	6000	≤2000	4500	300	13.5	1200	6000
RS-555243000	24	≤70	3000	≤400	2200	150	3.3	600	1600
RS-555244500	24	≤110	4500	≤600	3300	220	7.2	880	3000
RS-555246000	24	≤180	6000	≤1000	4500	300	13.5	1200	4000

1、 This table lists some motors parameters, others please refer to specific parameters of Page 148.

2、 After connecting motor and gearbox which is named gearmotor the output torque: motor torque X reduction ratio X gearing efficiency; output speed: motor speed / reduction ratio.