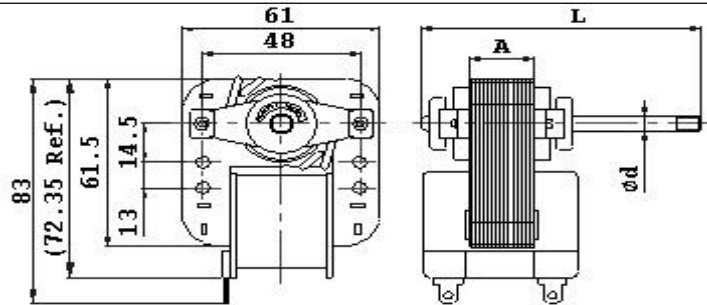
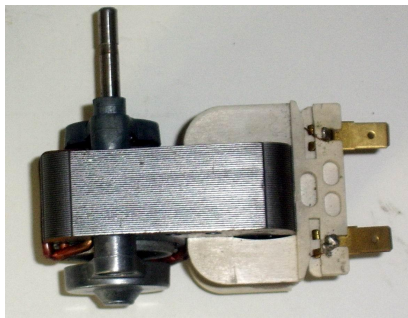


Shaded Pole Motor TW-61 series

Output Power: 1.0 ~20.0 W (Approx)



MAIN APPLICATION:

※ Ventilator, Heater, Hand Dryer, Can Opener, Humidifier, Microwave Oven, Air Purifier, etc.

FEATURES:

- ※ Shaft diameter (d) can be: Ø4, Ø5, Ø5.5, Ø6 & Ø 6.35mm. Shaft length (L) can be any as customers' needs.
- ※ Stator thickness (A) can be any from 8mm to 50mm to reach different power.
- ※ Brackets can be either sealed or explosive. Its height can be changed.
- ※ Bearing can be sleeve or ball bearing as customer's need.
- ※ Motor rotation direction can be CW or CCW.
- ※ The coil can be ABS plastic sealed or epoxy resin embedded according to customer's requirements.
- ※ Leading out by cable or by terminals are both available.
- ※ EMC components are available for anti electromagnetic interference. TCO (thermal cut-off) is also available for over heating protection.

ELECTRICAL SPECIFICATION CHART: (The following specifications can be changed as your requirement)

MODEL	RATING		FREE LOAD		ON LOAD				
			CURRENT	SPEED	INPUT	OUTPUT	SPEED	TORQUE	CURRENT
	VOLT	HZ	A	RPM	W	W	RPM	G.CM	A
TW-6114M22	230	50	0.120	2890	13.70	2.00	2450	80.0	0.130
TW-6114M22	120	60	0.105	3450	9.00	1.60	2610	60.0	0.118
TW-6114M22	240	50	0.130	2820	20.00	2.70	2650	100.0	0.130
			0.070	2800	14.00	1.60	1570	100.0	0.100
TW-6116M12	220	50	0.120	2800	18.50	2.50	2040	120.0	0.135
TW-6116M22	120	60	0.220	3400	18.50	3.20	2620	120.0	0.260
TW-6120M12	220	50	0.155	2850	19.00	3.00	2530	120.0	0.165
TW-6120M22	110	60	0.275	3460	20.50	4.00	2700	150.0	0.325
TW-6125M12	220	50	0.168	2890	22.70	5.00	2450	200.0	0.185
TW-6125M22	120	60	0.300	3450	30.00	5.80	2840	200.0	0.360
TW-6125M22	220	50	0.430	2920	60.00	12.50	2270	540.0	0.480