

TW-49TYD

Applications

Laminator / Paper Shredder / Rotating Christmas
Power Switch/ Industrial automation/ Stage
LCD levelers/ Ice crusher/Double Power Leakage Swi
Valve Actuator/ Oil mill/ Lampblack Machine

Model

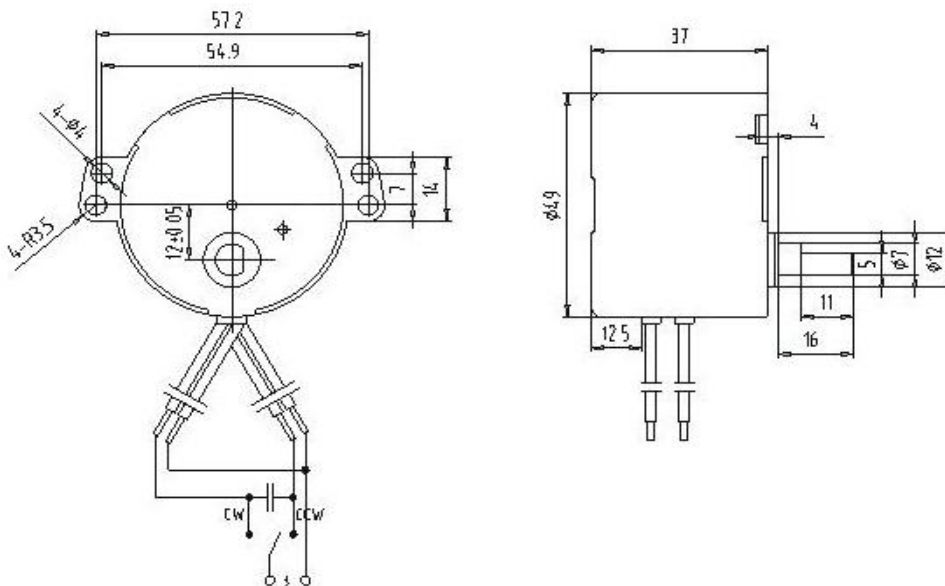
Specifications



Rated Voltage V		220														
Rated Frequency Hz		50/60														
Input Power W		7														
Speed r/min		1	1.5	2	2.5	4	4.8	5	6	10	15	25	30	45	60	75
Torque	Rated	45	30	22	18	11	9.5	9	8	5	3	1.8	1.5	1	0.75	0.6
	Max	70	46	35	28	17.5	15	14	12	8	4	2.8	2	1.5	1.2	1
Rotation Direction		CW/CCW														

cm=103gf.cm=9.8N.cm=0.098 N.m=13.89oz.in=0.868Lb.in=0.07233l

Dimensions



Feature

Capacitors is available.

Voltage and speed adjustment by winding change

Modification of shaft configuration (length, flat, hole, knurling, etc.)